

RDL250C and RDL250L

250W Dimmer Receivers



What is it?

The RDL250C and RDL250L are single channel 250W dimmer modules using state of the art dimming techniques. The RDL250C is designed to be ceiling mounted locally to the luminaires and fits through a standard down-light cut-out. The RDL250L is designed to be mounted in-line for use with table lights and other free standing fittings.

Their compact design makes them easy to retro-fit making scene-set installation as simple as possible.

The modules are suitable for dimming resistive and inductive light sources such as tungsten, low voltage and cold cathode. Each unit stores, in non-volatile RAM memory, its user definable addresses; with up to 256 house and 256 room addresses the largest of schemes can be accommodated.

The dimmers also store their own channel addresses (up to 15 per room) and 4 user programmable scene levels.

Communication with other Rako devices such as the RCP range of control panels via coded FM radio, eliminating the need for control wiring.

Key Features

250W inductive dimmer with soft start

Integral auto-resetting over current protection

Voltage surge protection

Auto resetting over temperature protection

4 user programmable levels and 15 channel addresses per room (60 channels using room grouping)

256 room and 256 house addresses available

Non volatile memory storage

Defaults to full on when powered up

Setting of room, house, channel address and scene levels from RCP07 scene control panel without the need of a PC

Suitable for resistive and inductive lighting loads. Also controls electronic transformers that are compatible with leading edge dimmers

Compact design allowing installation of unit next to the light fitting

Easy installation into existing conventional wiring

Receives scene instructions using coded wireless FM radio communication

Multiple units can be set to the same address for larger loads or simply to make wiring easier

Fully CE compliant



The Benefits

Smooth cross fading adds sophistication over conventional rotary dimmers. Multi way control is possible

Choice of variants for both in-line and ceiling mounting

Simple to retro-fit to existing conventionally wired schemes

Distributed dimmers avoid the requirement for large centrally located racks

Receives commands using FM communications therefore no control wiring required

No disruptive and costly building work to walls and ceilings required

Installation time reduced considerably

Configured using Rako's unique addressing system

Uses the Rako FM network allowing interfacing with audio visual, security and other auxiliary systems

Many additional features available with Rasoft programming software

 is a trademark of Rako Controls Limited

RDL250C and RDL250L

250W Dimmer Receivers

Electrical Data

Supply: 230V +/- 10% 50Hz

Total Load: 250W

Protection: Auto resetting over current protection
Auto thermal shutdown
Voltage surge protection

Load Types: Incandescent 230V lamps
Inductive low-voltage with magnetic transformers.
(Allow 10% transformer losses)
Capacitive low voltage with electronic transformers that are compatible with leading edge dimmers. (Allow 10% transformer losses)
Cold cathode with magnetic transformers. (Allow 10% transformer losses)

Minimum Load: 20W

Terminal sizes: 2.5mm²

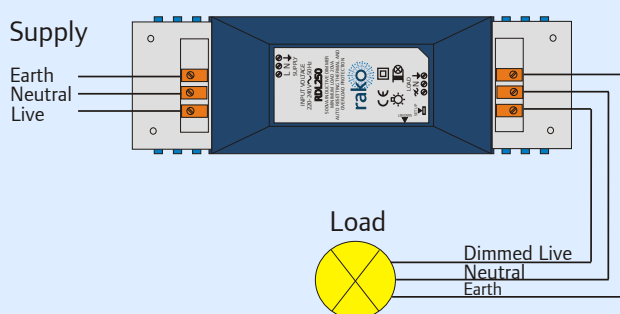
Standards: EMC - EN 501 -1 :1992
Immunity - EN 50082 - 1 :1997

Data

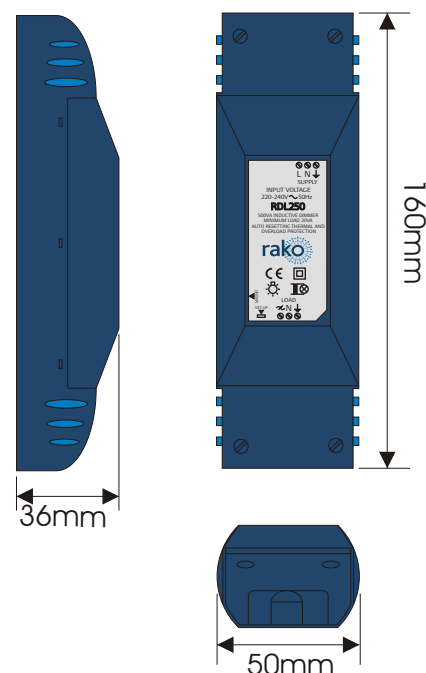
Communication: Rakom coded FM radio

Memory: Flash memory (non volatile)

Wiring Schematic



Dimensions



Mechanical Data

Weight: 125g

Climate range: Temperature +2 to +40°C
Humidity +5 to 90% non condensing

Housing: Made from UL V0 material

© 2003 Rako Controls Limited

We reserve the right to change the specification and data herewith without notice.

Your Dealer is

